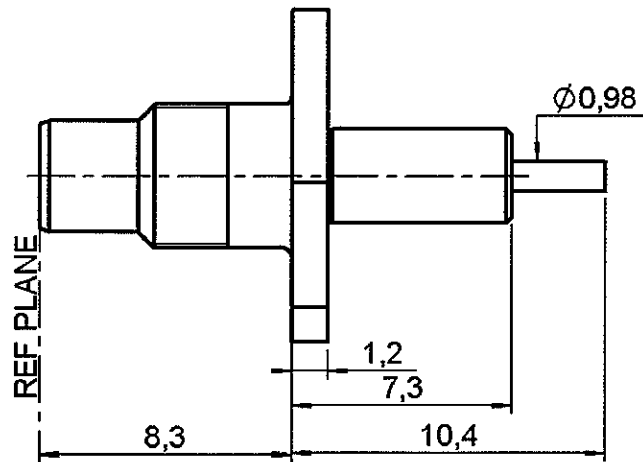
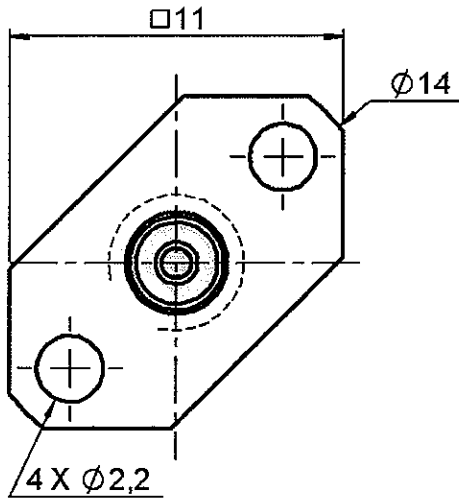


2 HOLES FLANGE PLUG RECEPTACLE

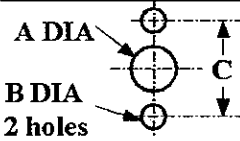
WITH CYLINDRICAL CONTACT

R112.463.000

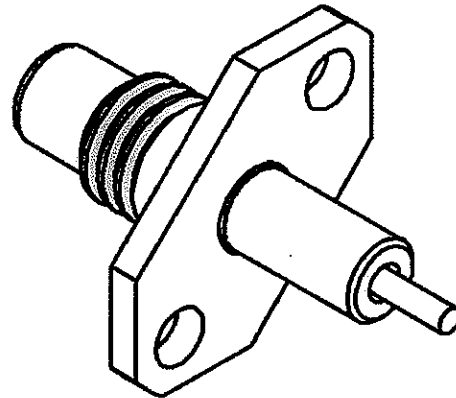
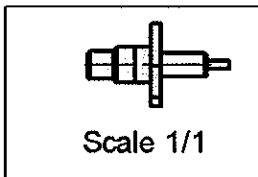
Series : SMC



PANEL CUT OUT



	mm	
	Maxi	mini
A	3.3	3.2
B	2.3	2.1
C	9.95	9.85



All dimensions are in mm.

COMPONENTS	MATERIALS	PLATING
BODY	BRASS	GOLD 0.2 OVER NICKEL 2 µm
CENTRE CONTACT	BRASS	GOLD 1.3 OVER NICKEL 2 µm
OUTER CONTACT	-	- µm
INSULATOR	PTFE	
GASKET	-	
OTHERS PARTS	-	- µm
-	-	-
-	-	-



2 HOLES FLANGE PLUG RECEPTACLE

R112.463.000

WITH CYLINDRICAL CONTACT

Series : SMC

ELECTRICAL CHARACTERISTICS

SPECIFICATION

Impedance		50 Ω
Frequency		0-10 GHz
VSWR	1.05* +	0.008 x F(GHz) Maxi
Insertion loss		0.03* √F(GHz) dB Maxi
RF leakage	- (62 - F(GHz)) dB mini
Voltage rating		335 Veff Maxi
Dielectric withstanding voltage		1000 Veff mini
Insulation resistance		1000 MΩ mini

ENVIRONMENTAL

Operating temperature	-65/+165 ° C
Hermetic seal	NA Atm.cm3/s
Leakage – pressurised only	NA Mpa

OTHERS CHARACTERISTICS

Assembly instruction NA

Others :
* Coaxial Transmission Line Only

MECHANICAL CHARACTERISTICS

Centre contact retention		
Axial force – Mating end		NA N mini
Axial force – Opposite end		NA N mini
Torque		NA N.cm mini

Recommended torque		
Mating		NA N.cm
Panel nut		NA N.cm

Mating life		500 Cycles mini
Weight		0.000 g

